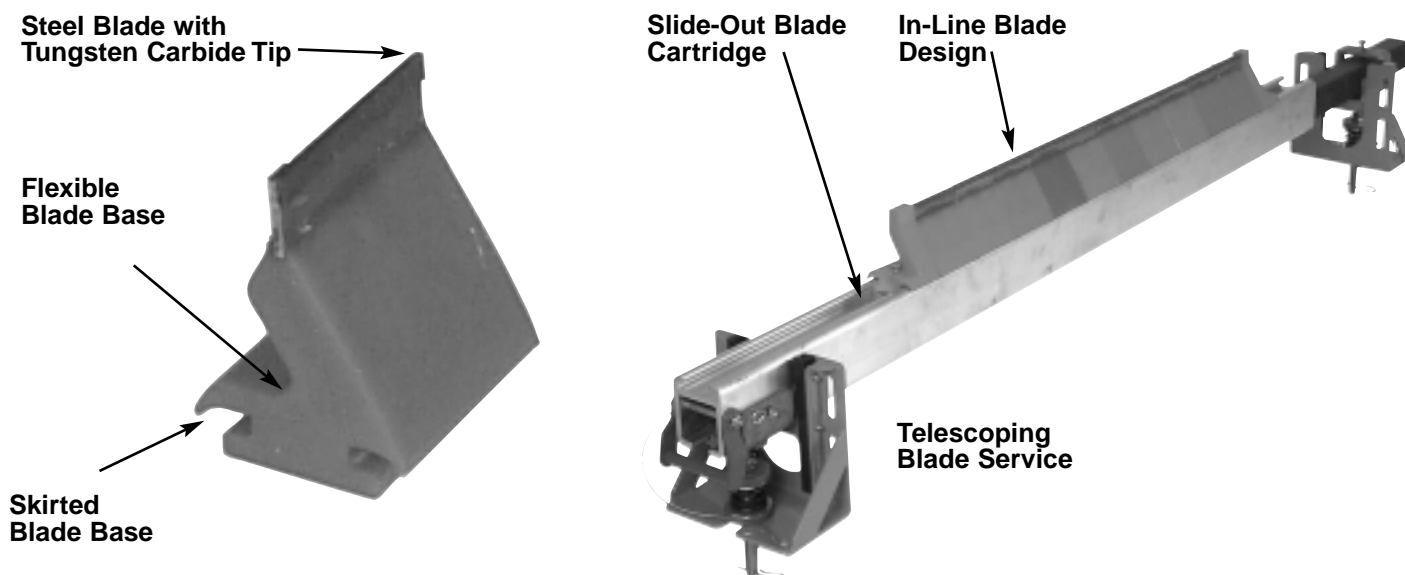


# **IN-LINE Secondary Cleaner**

The IN-LINE Secondary Belt Cleaner from Martin Engineering provides unsurpassed cleaning performance while allowing simple, slide-out maintenance in the toughest conditions. With its telescoping blade service, the IN-LINE Cleaner's three-inch (76-mm) wide blade segments slide into an aluminum cartridge that itself slides into cleaning position on the sturdy steel mainframe.



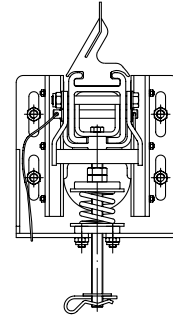
## Advantages

- ◆ **5-Minute Blade Change**  
Blades slide into cartridge; cartridge slides into cleaning position on mainframe.
- ◆ **Effective and Durable**  
Tungsten carbide blade tips provide effective cleaning over extended service.
- ◆ **Cushions Splice Shock**  
Urethane blade base is designed to flex to absorb impact.
- ◆ **Installs in Small Places**  
Narrow profile minimizes space requirements.
- ◆ **Minimizes Outages**  
Fast, easy blade replacement reduces cost of downtime and labor.
- ◆ **Allows Service While Belt is Running**  
With on-site safety approval, slide/out blade cartridge while belt runs.
- ◆ **Minimal Risk to Belt**  
90° blade-to-belt angle is safe for belt, splice, and cleaner.

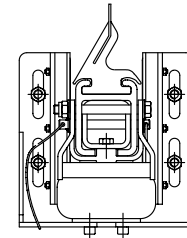
# MARTIN® IN-LINE Secondary Belt Cleaner

## Order Information

| Belt Width*<br>in. (mm) | No. of<br>Blades | Blade<br>Coverage<br>in. (mm) | Maximum<br>Mainframe<br>Length<br>in. (mm) | Ship<br>Wt.<br>lb (kg) | Assembly<br>Part<br>Number<br>with Tensioner** |
|-------------------------|------------------|-------------------------------|--|------------------------|--|
| 24 (500-650)            | 6                | 21 (533)                      | 54 (1372)                                  | 100 (45)               | 36322-24XX                                     |
| 30 (650-800)            | 8                | 27 (686)                      | 60 (1524)                                  | 106 (48)               | 36322-30XX                                     |
| 36 (800-1000)           | 10               | 33 (838)                      | 66 (1676)                                  | 112 (50)               | 36322-36XX                                     |
| 42 (1000-1200)          | 12               | 39 (991)                      | 72 (1829)                                  | 118 (54)               | 36322-42XX                                     |
| 48 (1200-1400)          | 14               | 45 (1143)                     | 78 (1981)                                  | 124 (56)               | 36322-48XX                                     |
| 54 (1400-1600)          | 16               | 51 (1295)                     | 84 (2134)                                  | 130 (58)               | 36322-54XX                                     |
| 60 (1600-1800)          | 18               | 57 (1448)                     | 90 (2286)                                  | 136 (62)               | 36322-60XX                                     |
| 66 (1650-1750)          | 20               | 63 (1600)                     | 96 (2438)                                  | 142 (64)               | 36322-66XX                                     |
| 72 (1800-2000)          | 22               | 69 (1753)                     | 102 (2591)                                 | 148 (67)               | 36322-72XX                                     |
| 84 (2000-2200)          | 26               | 81 (2057)                     | 114 (2896)                                 | 160 (73)               | 36322-84XX                                     |
| 96 (2200-2400)          | 30               | 93 (2362)                     | 126 (3200)                                 | 172 (78)               | 36322-96XX                                     |



Spring Tensioner

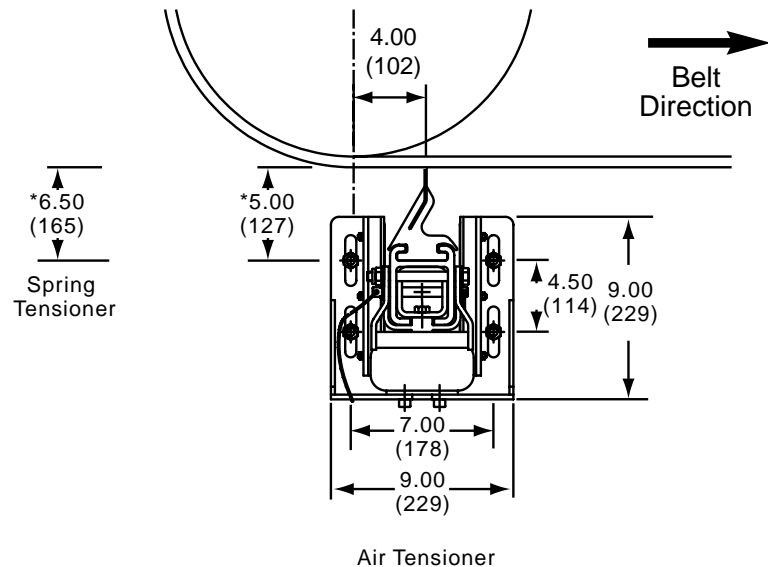


Air Tensioner

\*Metric belt widths are given as standard industry belt sizes rather than conversions.

\*\* Replace first X with blade choice: **T** = Tungsten Carbide    **M** = Mild Steel    **S** = Stainless Steel  
Replace second X with "**S**" for Spring Tensioner or "**A**" for Air Tensioner.

| Replacement Blade | P/N        |
|-------------------|------------|
| Tungsten Carbide  | 36316 - T  |
| Mild Steel        | 36316 - MS |
| Stainless Steel   | 36316 - SS |



Air Tensioner

