



Form No. L3370-06-3/04

# DURT HAWG® Belt Pre-Cleaners

## TECHNICAL DATA

DURT HAWG® Pre-Cleaner  
with CARP Blades



Heavy-Duty DURT HAWG®  
Pre-Cleaner



The DURT HAWG® Pre-Cleaners offer an economical answer for conveyor belt cleaning. They are designed for durable performance and simple maintenance in the face of rugged conditions.

### Benefits

- **Simple “Hammer” Maintenance**  
Blade change is a fast and easy “pound-off-the-worn-blades, pound-on-the-new” procedure, requiring only a hammer.
- **Efficient Cleaning Over Time**  
Martin Engineering’s patented “CARP” Constant Angle and Constant Pressure blade design means consistent cleaning performance.
- **Guaranteed Performance**  
DURT HAWG® Pre-Cleaners are covered by Martin Engineering’s *Absolutely, Positively, No Excuses* Guarantee.

### Specifications

	Maximum Belt Speed <i>fpm (m/sec)</i>	Maximum Service Temp. <sup>1</sup> <i>F (C)</i>	Minimum Pulley Diameter <i>in. (mm)</i>	Mounting Distance <i>in. (mm)</i>	Wear Life <sup>2</sup> <i>in. (mm)</i>	Wear Volume <i>in<sup>3</sup> (cm<sup>3</sup>)</i>	Replacement Blades <i>P/N</i>
CARP Pre-Cleaner	750 (3.8)	Continuous: 150° (65°) Intermittent: 180° (82°)	12 (305)	4.5 (114)	3.5 (89)	3.42 (56)	27987-CXXX
HD Pre-Cleaner	900 (4.6)		12 (305)	4.5 (114)	3.5 (89)	7.39 (121)	35650-XXX

#### Recommended Tensioners

##### MARTIN® TWIST™ Tensioner

- P/N 31443 for 18- to 48-in. (400- to 1400-mm) belts.
- P/N 31443-2R (Dual Tensioners) for 54- to 96-in. (1400- to 2400-mm) belts.

##### MARTIN® Internal Spring Tensioner

- P/N 36176 for 18- to 48-in. (400- to 1400-mm) belts.
- P/N 36176-2 (Dual Tensioners) for 54- to 96-in. (1400- to 2400-mm) belts.

<sup>1</sup> High-performance urethanes are available. Consult your Martin Engineering Representative.

<sup>2</sup> Amount of usable blade.

### Nomenclature

#### SLITS

- 1 for no slits
- 0 for slits

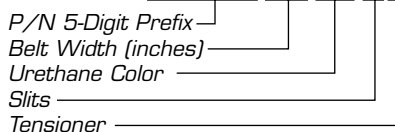
#### URETHANE COLOR

- BR for Brown
- NB for Navy Blue
- Blank for Orange
- GR for Green
- CL for Clear

#### TENSIONER

- T for MARTIN® TWIST™ Tensioner
- S for MARTIN® Internal Spring Tensioner
- Blank for no tensioner

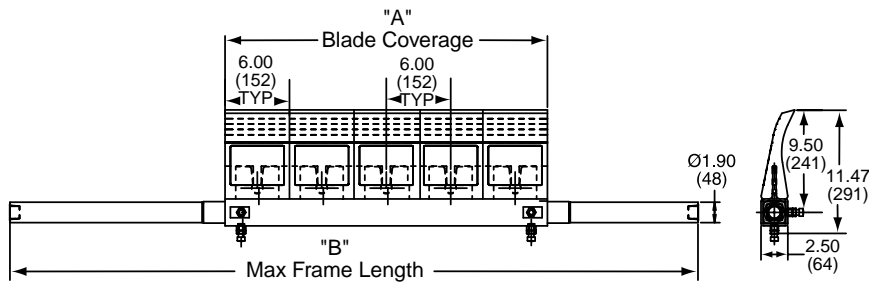
P/N: XXXXX-XXXXXX



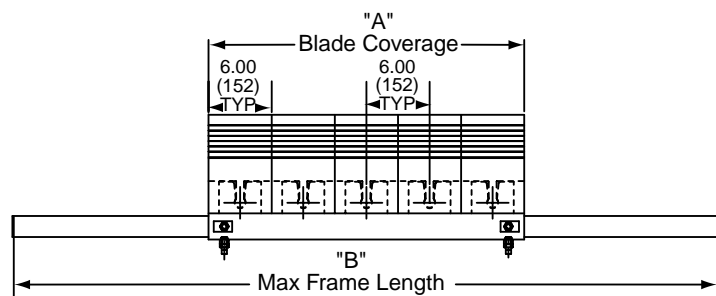
Cleaner assemblies can be ordered with mainframe and blades only, or with mounts and tensioner assemblies.

**Technical Data**

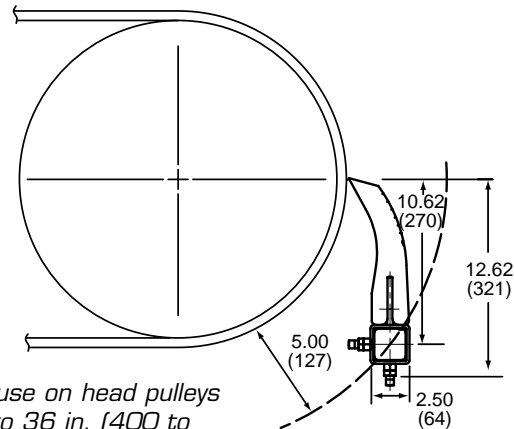
Belt Width in. (mm)	Blade Coverage - A in. (mm)	Mainframe Length - B in. (mm)	Blade Qty.	ASSEMBLY P/N		SHIP WEIGHT***	
				Standard	Heavy-Duty	Standard lb (kg)	Heavy-Duty lb (kg)
18 (500)	12 (305)	40 (1016)	2	37061-18XXX	37095-18XXX	65 (29.5)	67 (29.5)
24 (650)	18 (457)	46 (1168)	3	37061-24XXX	37095-24XXX	74 (33.6)	77 (34.9)
30 (800)	24 (610)	58 (1473)	4	37061-30XXX	37095-30XXX	95 (43.1)	98 (44.5)
36 (1000)	30 (762)	64 (1626)	5	37061-36XXX	37095-36XXX	101 (45.9)	106 (48.1)
42 (1200)	36 (914)	70 (1778)	6	37061-42XXX	37095-42XXX	108 (48.9)	114 (51.7)
48 (1400)	42 (1067)	76 (1930)	7	37061-48XXX	37095-48XXX	115 (52.3)	122 (55.3)
54 (1600)	48 (1219)	82 (2083)	8	37061-54XXX	37095-54XXX	122 (55.5)	130 (59.0)
60 (1800)	54 (1372)	94 (2388)	9	37061-60XXX	37095-60XXX	143 (65.0)	152 (68.9)
66 (1800)	60 (1524)	100 (2540)	10	37061-66XXX	37095-66XXX	N/A N/A	160 (72.6)
72 (2000)	66 (1676)	106 (2692)	11	37061-72XXX	37095-72XXX	157 (71.2)	168 (76.2)
78 (2000)	72 (1829)	117 (2972)	12	37061-78XXX	37095-78XXX	189 (85.9)	201 (91.2)
84 (2200)	78 (1981)	123 (3124)	13	37061-84XXX	37095-84XXX	198 (90.0)	211 (95.7)
96 (2400)	90 (2286)	135 (3429)	15	37061-96XXX	37095-96XXX	218 (99.0)	231 (104.8)



*DURT HAWG® Pre-Cleaner with CARP Blades*



*Heavy-Duty DURT HAWG® Pre-Cleaner*



For use on head pulleys  
18 to 36 in. (400 to  
1000 mm) in diameter.

- \* Metric belt widths given are standard industry belting sizes rather than conversions.
- \*\* Extra-long mainframes are available. See your Martin Engineering representative for assistance in specifying nonstandard products.
- \*\*\* Doesn't include tensioner.

